

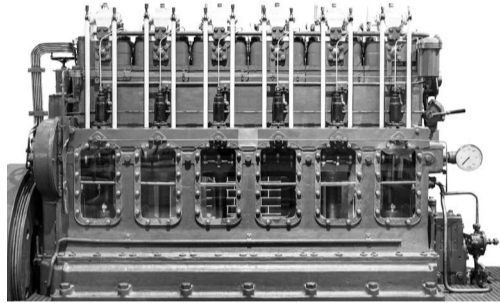


# The solutions guide

## Star polymer repair compounds and wraps

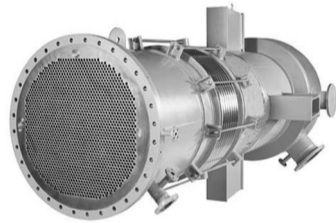
### Engines

Application	Product	Application	Product
Engine repairs	4	Worn sleeve	4
Engine block repair	4	Worn seals	4
Hole in sump	4	Worn keyways	4
Rebuilding of wet liners	4	Worn spline	4
Repairing of ripped threads	4		
Rebuild seal surfaces	4		
Shim seal areas	4		
Worn journals	4		
Worn gearbox casings	4		



### Heat exchangers

Application	Product	Application	Product
Corroded tube plates	4 5 + 6	Water box relining	4 + 5
Rebuilding end covers	4 5 + 6	Worn baffle plates	4 5 + 6
Rubber linings	7		
Wear of joint faces	4		
Repairs of diaphragms	4		



### Valves

Application	Product	Application	Product
Hole in housing	4 5 + 6	Water box relining	4 + 5
Gate valve wedges	4 5 + 6	Worn baffle plates	4 5 + 6
Worn valve seats	7		
Wear of joint faces	4		
Repairs of diaphragms	4		



### Piping

Application	Product	Application	Product
Large diameter pipe	4 9	Flanges & mating surfaces	4 9
Small diam. pipe	2 + 1 3 4 9		
Pipe joints	1 3 4 9		
Plastic & composite piping	1 4 9		
Heating coils	1 4 9		



### Pumps

Application	Product	Application	Product
Pump housing repair	4	Worn impeller shafts	4
Cavitation in housing	5 + 6		
Worn bearing housing	4		
Impeller resurfacing	5 + 6		
Eroded impellers	5 + 6		



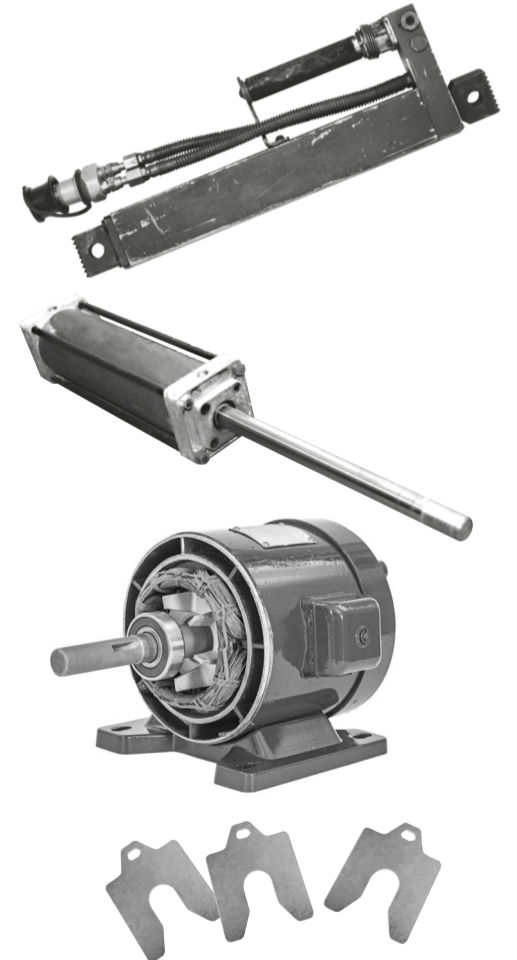
### Rubber

Application	Product
Gasket & seal repairs	7 8
Making a new O-ring	8
Electrical insulation repairs	7 8
Hose repairs	7
Hatch cover seals	7 8
Casting of shock absorbers	8



### Engines

Application	Product
Scored hydraulic or pneumatic rams	4
Leaking tanks	2 3 4
Worn ducting	4
Holed drive covers	4
Stripped threads	3 4
Worn shafts	4
Electric motor shafts	4
Shim deck machinery	4
Pitting/cavitation in shell plating	5 + 6
Screw propeller	4 5 + 6
Rudder resurfacing	5 + 6
Rudder pintles	4



#### Product Key

1 FR 909N60 Rubber paste	4 FR 983 Quick-set steel	7 FR 1011 Brushable ceramic
2 FR 909N60 Liquid rubber	5 FR 912 Standard steel	8 FR 986 Underwater Putty
3 FR 308 Putty	6 FR 1008/D Ceramic mortar	9 Pipe Wrap